

PACTO®



MANUAL

Type A

TABLE OF CONTENTS

Flush foil for the Pacto Toilet	3
Installation	4
Start-up	6
Emptying intervals	7
Emptying procedure User tips / Economical tips	8
Trouble shooting Spare Parts Consumables Dimensions	9

Thank you for choosing a **PACTO® Toilet!**

Flush foil for the Pacto toilet

Instead of water, a sluch foil is used to encapsulate the waste in the Pacto toilet. The flush foil is made of polythene.

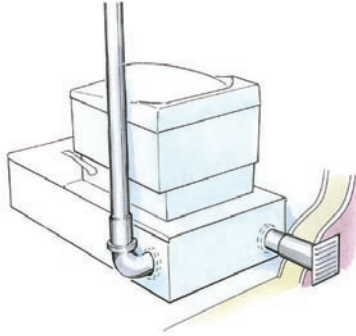
Flush foil made of polythene

- ✓ When incinerated, the environmentally friendly polythene foil yields nothing but carbon dioxide and water.



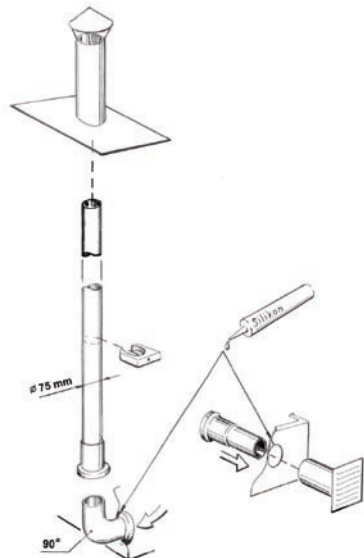
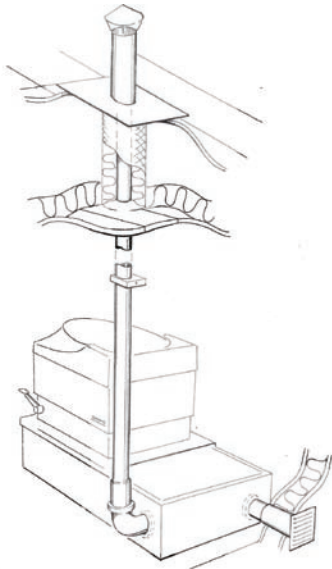
Installation

There are two ways to easily install the Pacto Toilet:



Installation 1

Standing on a Podium that contains the collecting bags for the latrine waste. If necessary, the Podium can be completed with installation of a through-air ventilation, however no electrical fan is required. Ventilation of the Podium can be made by a 3" plastic pipe through the wall and roof as shown on the sketch. The toilet room should be ventilated separately by e.g. a 4" square or 5" round valves.

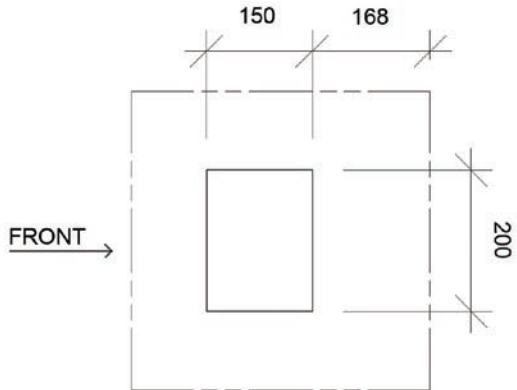




Installation 2

Place the collecting bags in a box underneath the floor. This means emptying the latrine waste from the outside. Leave a space of about 50 mm between the collecting container and the floor. Remember to protect the collecting container from vermination.

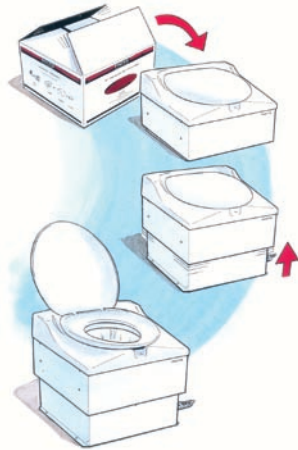
Dimensions of the hole in the floor:



The ventilation conditions may vary for this type of installation. The air inlet may be affected by nearby stones, trees, bushes and houses etc. If the ventilation should not be sufficient, it may have to be complemented by a duct fan.

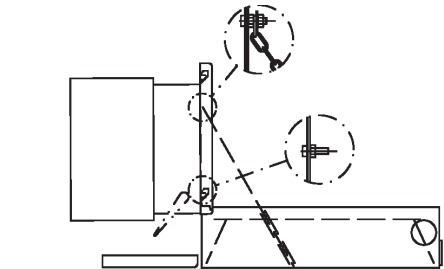
Start-up

1. **Assemble** the toilet according to instructions on labels in the toilet.
2. Install **ventilation** as required.
3. Insert the **collecting bag** (which comes with the flush foil) into the bag holder as follows:



If a **Podium** is used (see assembly instruction on the inside of the podium):

- Remove the cover lid with the toilet seat
- Remove the step area of the podium
- Grip the front of the toilet and pull it towards yourself
- Then lift/pull the toilet into its stop position in the chains.
Insert the collecting bags (the black one as an outer moisture barrier) into the bag holder.
- Put down the toilet and push it back into its closed position
- Re-place the step area on the podium and the cover lid with toilet seat on the toilet.



If **other collecting container** is used:

- Insert the collecting bags (the black one as an outer moisture barrier) into the collecting container.

4. Insert a **flush foil cassette** as follows:

- Remove the cover lid with the toilet seat and insert a flush foil cassette around the steel ring. Remove the strings keeping the cassette together.
- Pull up the flush foil **from the outside** and tie two knots in the end of the flush foil. Make sure that no STOP-text occurs, which indicates that you have started the cassette from the wrong end.
- Press the foot pedal and then press the two knots between the feeding wheels. Make sure that both pairs of the feeding wheels grip the flush foil.

Re-place the cover lid on the toilet, which is now ready for use.

Emptying intervals

Since the toilet is not limited in capacity, we recommend emptying once a week. If the toilet is used by many persons, it may need emptying more frequently.

40-50 flushes/uses by 2 adults and 2 children = 8-10 kg waste.

If a Podium is used, the waste quantity in the collecting container may easily be checked by lifting the inspection lid/step area. The toilet is as easily emptied as the waste bin under your sink. See «Emptying» on page 8.

The toilet should always be emptied when you don't expect to use it for a longer period of time.

There is a red text (**STOP**) at the end of the foil cassette indicating the the foil comes to its end.

Emptying procedure

Follow the instructions below. If the toilet is installed according to «Installation 2» (page 5) with a hole in the floor, only points 1-3 below apply. After that you place the waste bags in a box for collection.

1. Remove the cover lid/toilet seat from the toilet.
2. Pull up clean foil from the cassette and cut it off.
3. Tie a secure knot and press the foot pedal until the knot has disappeared into the collecting container.
4. Remove the inspection lid/step area.
5. Grip the front of the toilet and pull it towards yourself.
6. Then lift/pull the toilet until its stop position in the chains.
7. Remove the collecting bag and place it in a box for collection.
8. Insert new collecting bags in the collecting container.
9. Put down the toilet and push it back into its closed position.
10. If Podium is used: Re-place the inspection lid/step.
11. Start from the beginning by pulling up clean flush foil and make two knots.
12. Press the foot pedal and press the two knots between the feeding wheels. Then press the foot pedal again until both feeding wheels grip the flush foil.
13. Re-place the cover lid/toilet seat - the toilet is ready to be used.

User tips

- The movable parts of the feeding mechanism (not the feeding wheels) shall be greased at least once a year.
- Keep the surface of the Podium dry. A wet surface may be slippery.

Economical tips

- To reduce the flush foil consumption we recommend you to add a small amount of water when toilet paper is used. This makes the toilet paper fall down easily into the collecting container.
- At urinating (70% of all visits) just press the foot pedal half way down. This procedure minimizes the flush foil consumption, since the fluid ends up in already used foil.
- The collecting bag can be used for transportation of the waste and can therefore be re-used after emptying.

Trouble shooting

Fault

The flush foil is pulled down obliquely when flushing

Possible cause

Check that both wheel pairs grip the flush foil

The flush foil does not feed down when the foot pedal is pressed

The foot pedal may be damaged.

Leakage of urine/faeces into the collecting container

Check the «starting knots». Are they tight enough? Check that the flush foil has not been damaged.

Bad smell in the toilet area

Check that the ventilation is correctly installed.

Spare Parts

<u>Part No.</u>	<u>Designation</u>
03020	Toilet seat (ring/lid incl. attachment parts)
03050	Cover lid (excl. toilet seat 03020)
03441	Foot pedal (plastic)
03445	Foot pedal (stainless)
03601	Bag holder (for Podium 03600)
03500	Feeding mechanism

Consumables

<u>Part no</u>	<u>Designation</u>
04001	Flush foil, Polythene
04010	Collecting bag, Polythene
03014	Collecting container (pasteboard)

Dimensions (mm)

	<u>Toilet</u>	<u>Podium</u>
Depth:	484	817
Width:	483	560
Height:	415 ^{*)}	219
Weight:	16 kg	20 kg

*) Seat height



Pacto with Podium
For more information: www.pacto.se

Danfo AB Box 103 713 23 Nora
Besök: Kolmätaregatan 28
Tel. 0587-861 00 Fax 0587-106 02